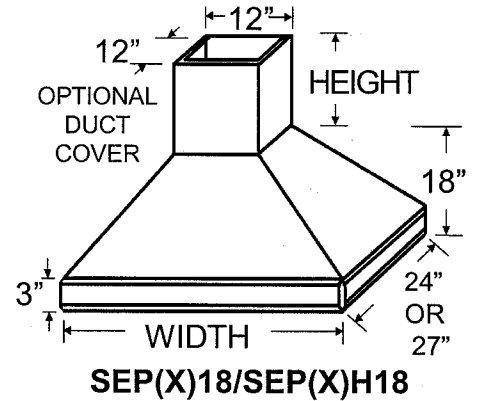
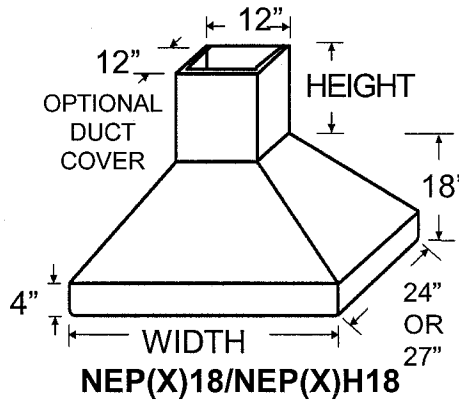
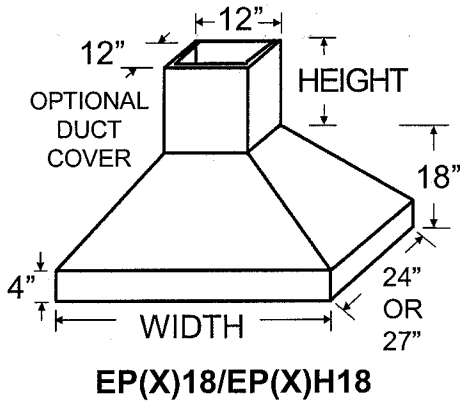


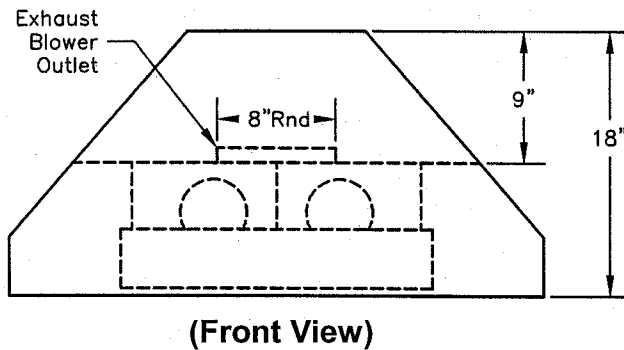
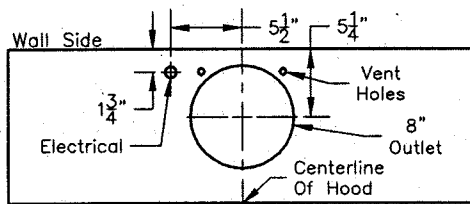
Vent Hood® EUROSTYLE WALL MOUNT RANGE HOOD SPECIFICATIONS

EP(X)18/EP(X)H18/NEP(X)18/NEP(X)H18/SEP(X)18/SEP(X)H18 "H" in part number indicates halogen lighting. These models not available with heat lamps. Shown with optional duct cover (sold separately). Optional duct covers available in standard and custom sizes.

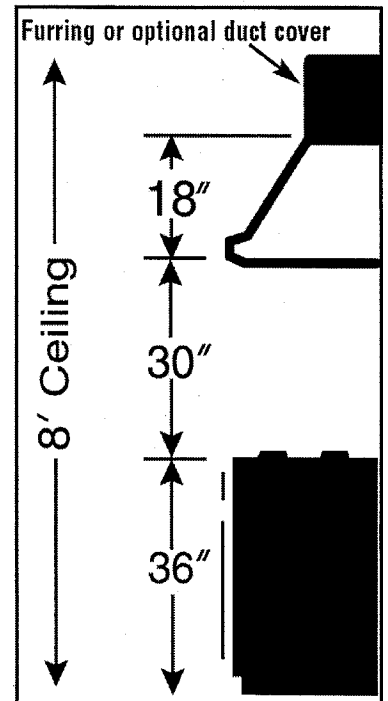


(X) in part number indicates 27" depth

Blower Outlet Diagram (36"-48" Widths)



Recommended Mounting Height*



*Exceeding recommended mounting height may compromise performance.

Electrical/Mechanical Specifications For Blower Units

Model	Type	Volts	Amps	HZ	RPM	CFM SP@0.0"	Equivalent CFM	CFM SP@0.1"	CFM SP@0.2"	CFM SP@0.3"	Minimum Round Duct Size	Square Inches
B200 Dual	(2) Shaded Pole	115	3.4*	60	1550	600	900	572	540	480	8" (or equivalent)	50

*Note: Add .5 amp for each halogen bulb. Equivalent CFM refers to the fact that the Magic Lung blower uses centrifugal filtration units, whereas others use conventional filters. Apply this guideline when comparing blower units made by other manufacturers. Hood is available with fluorescent light (1 for each single or dual blower) or with halogen lights- 36" to 41" 2 lights, 42" to 48" 3 lights.